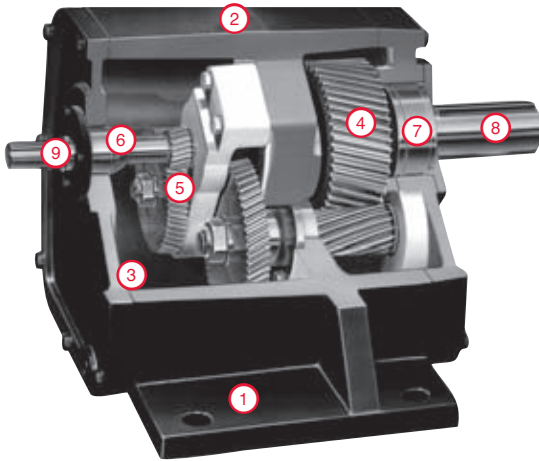


DODGE[®] MAXUM CONCENTRIC SPEED REDUCERS

Minimize down time, increase performance with Dodge Maxum reducers - a proven, compact, performance-engineered speed reducer product. No competitive speed reducer can match it - in design, performance or value. Dodge Maxum has proved, year after year, to be a reliable workhorse in the most demanding applications.

Standard Features:

- Power dense design with increased HP and torque ratings providing greater concentric reducer value
- Fractional to 1,600 HP
- 502,000 (in-lbs) torque
- Meets or exceeds AGMA standards for proven reliability
- Scoop, top motor mount and base plate configurations available
- Variable speed application expertise
- 100% factory performance tested for less downtime and longer service life



Greater Benefits:

- ① Rugged, compact package generates dependable performance in less space
 - Maximum capacity design
- ② High strength, ductile and cast iron housings provide strength and rigidity for industrial applications
 - Finite element modeled
 - Integral internal walls
- ③ Precision machined, doveled design provides proper gear alignment under load
- ④ Helical gearing with increased capacity reduces cost or extends service life
 - Case carburized, precision finished teeth
 - 98% efficient per stage
- ⑤ Balanced gear ratios for the most cost-effective design
- ⑥ Large diameter shafts for added strength
 - Minimizes shaft deflection
- ⑦ Heavy-duty tapered roller bearing design for increased performance
 - Increased radial and thrust load capabilities
 - Minimum 25,000 hours average life
- ⑧ Reducer overhung load capacity optimized for total system value
- ⑨ Standard, double-lip and optional Viton[®] seals help keep lubricants in, contaminants out
 - 100% factory tested before shipment
 - Standard seal operating temperatures of -40° F to 225° F

MOUNTING AND APPLICATION OPTIONS

1. **Top Motor Mount:** Select your desired reducer output speed in less floor space with the top-mounted Baldor•Reliance AC motor and DODGE V-belt drive.
2. **MAXUM Scoop Package:** Available for use with 143T through 445T motor frames. The fabricated steel scoop is an economical and compact way to connect the motor and reducer.
3. **Custom Base Plates:** Designed to your application to ensure sturdy mounting base and easy alignment of AC or DC motor, coupling and reducer, providing a single source power transmission package.
4. **Slide or Custom Bases:** Conveniently positions reducer providing simplified installation and servicing of belt and chain drives.
5. **External Backstop:** Provides reliable holding power and is easily maintained.
6. **Cooling Fan:** Provides an economical way of utilizing more of the reducer's mechanical rating. This lowers the reducer oil temperature and increases seal life.
7. **Auxiliary Seal Kit:** Extra sealing protection that can be installed in the field when exposure to dust, moisture or other contamination is a potential problem.
8. **Heat Exchanger Kit:** Heat exchangers are available for applications with high ambient temperatures or for thermal capacities beyond the range of cooling fans.

MAXUM Options

DODGE MAXUM REDUCER SIZE	RATIOS AVAILABLE	MAX.INPUT HP @1750 RPM 25:1	LOW SPEED SHAFT OHL* @ 68 RPM (lbs)	SCOOP PACKAGES FOR MOTOR FRAMES	CUSTOM DESIGNED HEAVY DUTY BASEPLATES	TOP MOTOR MOUNTS FOR MOTOR FRAME	EXTERNAL BACKSTOPS	AUX. SEALS	VITON® SEAL OPTION	SLIDE BASE
4	2.25-194.6	34.7	5,460	143-326T	YES	143-326T	YES	YES	YES	YES
5	2.25-194.6	43.5	7,130	143-365T	YES	182-365T	YES	YES	YES	YES
6	2.25-194.6	71	8,660	143-365T	YES	182-365T	YES	YES	YES	YES
7	5.06-194.6	108	13,100	213-445T	YES	213-445T	YES	YES	YES	YES
9	5.06-194.6	189	15,800	254-445T	YES	213-445T	YES	YES	YES	YES
10	5.06-194.6	277	16,000	254-445T	YES	254-445T	YES	YES	YES	YES
11	5.06-194.6	375	19,400	284-445T	YES	284-445T	YES	YES	YES	YES
12	5.06-194.6	493	17,500	284-445T	YES	284-445T	YES	YES	YES	YES

*Overhung load capacity

Size Performance Data

DODGE MAXUM Reducer Size	MAX. INPUT HP @ 1750 RPM 25:1	MAX TORQUE (in. lbs.) @ 1750 RPM 25:1
4	34.7	31,400
5	43.5	37,900
6	71	60,500
7	108	95,600
9	189	167,000
10	277	248,000
11	375	328,000
12	493	436,000



World Headquarters

P.O. Box 2400, Fort Smith, AR 72902-2400 U.S.A., Ph: (1) 479.646.4711, Fax (1) 479.648.5792, International Fax (1) 479.648.5895

Baldor - Dodge

6040 Ponders Court, Greenville, SC 29615-4617 U.S.A., Ph: (1) 864.297.4800, Fax: (1) 864.281.2433

www.baldor.com