



**FERSA'S WIDE RANGE,  
HIGHEST PERFORMANCE,  
PREMIUM QUALITY**

### Differentials



POSITION	Fersa
<b>EV71</b>	
Bevel pinion front	<b>31312 F</b>
Bevel pinion rear	<b>31316 F</b>
Differential left	<b>30217 F</b>
Differential right	<b>32017 XF</b>

### EV72

Bevel pinion front	<b>HM 911245/HM 911210</b>
Bevel pinion rear	<b>31315 F</b>
Differential left	<b>32017 XF</b>
Differential right	<b>30217 F</b>
Input shaft front	<b>30214 F</b>
Output shaft front	<b>32015 XF</b>
Output shaft front	<b>32015 XF</b>
Output shaft rear	<b>6310</b>

### EV82

Bevel pinion front	<b>HM 911245/HM 911210</b>
Bevel pinion rear	<b>H 913842/H 913810</b>
Differential left	<b>594/592 A</b>
Differential right	<b>594/592 A</b>
Input shaft front	<b>6312</b>
Output shaft front	<b>497/493</b>
Intermediate gear front	<b>25590/25520</b>
Intermediate gear rear	<b>25590/25520</b>
Output shaft front	<b>6310</b>

### EV82B

Bevel pinion front	<b>HM 911245/HM 911210</b>
Bevel pinion rear	<b>H 913842/H 913810</b>
Differential left	<b>594/592 A</b>
Differential right	<b>594/592 A</b>
Input shaft front	<b>6312</b>
Output shaft front	<b>497/493</b>
Intermediate gear front	<b>25590/25520</b>
Intermediate gear rear	<b>25590/25520</b>
Output shaft front	<b>6310</b>

### Differentials



POSITION	Fersa
<b>EV85B</b>	
Bevel pinion front	<b>H 913842/H 913810</b>
Bevel pinion rear	<b>9285/9220</b>
Differential left	<b>687/672</b>
Differential right	<b>687/672</b>

### EV90 \* EV91

Bevel pinion front	<b>JW 7049/JW 7010</b>
Bevel pinion pilot	<b>F 19080</b>
Bevel pinion rear	<b>F 15071</b>
Differential left	<b>687/672</b>
Differential right	<b>687/672</b>

### RS1356 SV

Bevel pinion front	<b>JW 7049/JW 7010</b>
Bevel pinion rear	<b>F 15071</b>
Bevel pinion pilot	<b>F 19080</b>
Differential left	<b>687/672</b>
Differential right	<b>687/672</b>



## Gearboxes



POSITION	Fersa
<b>VT 2514 * VT 2014 B</b>	
Counter shaft front	<b>33212 F</b>
Counter shaft rear	<b>33212 F</b>
Input shaft front	<b>F 15116</b>
Main shaft front	<b>CONE F 15150 A</b>
Main shaft rear	<b>F 15116</b>
Output shaft rear	<b>F 18053</b>
Main shaft intermediate	<b>CONE 33113 F</b>

### VT 2412 B

Counter shaft front	<b>32212 F</b>
Counter shaft rear	<b>33212 F</b>
Input shaft front	<b>30217 F</b>
Main shaft intermediate	<b>CONE 33113 F</b>
Main shaft front	<b>CONE F 15150 A</b>
Main shaft rear	<b>30217 F</b>
Output shaft rear	<b>F 18053</b>

### AT2412C

Input shaft front	<b>30217 F</b>
Main shaft front	<b>CONE F 15150 A</b>
Main shaft intermediate	<b>CONE 33113 F</b>
Main shaft rear	<b>F 15266</b>
Counter shaft front	<b>32212 F</b>
Counter shaft rear	<b>JF 6049/JF 6010</b>
Output shaft rear	<b>F 18053</b>
Output shaft rear	<b>F 18053</b>

### AT2512C

Input shaft front	<b>F 15266</b>
Main shaft front	<b>CONE F 15150 A</b>
Main shaft intermediate	<b>CONE 33113 F</b>
Main shaft rear	<b>F 15266</b>
Counter shaft front	<b>33212 F</b>
Counter shaft rear	<b>JF 6049/JF 6010</b>
Output shaft rear	<b>F 18053</b>
Output shaft rear	<b>F 18053</b>

## Wheel End



AXLE	POSITION	Fersa
<b>B7R</b>		
Front axle	Hub Unit	<b>F 200013</b>
Rear axle	Hub Unit	<b>F 200014</b>

### B9L

Front axle	Hub Unit	<b>F 200013</b>
Rear axle	Hub Unit	<b>F 200014</b>
Rear axle+Trailing axle	Hub Unit	<b>F 200004</b>

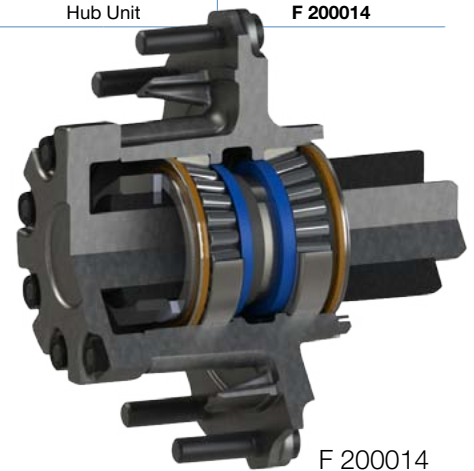
### B12B

Front axle	Hub Unit	<b>F 200013</b>
Rear axle	Hub Unit	<b>F 200014</b>
Rear axle+Trailing axle	Hub Unit	<b>F 200013</b>

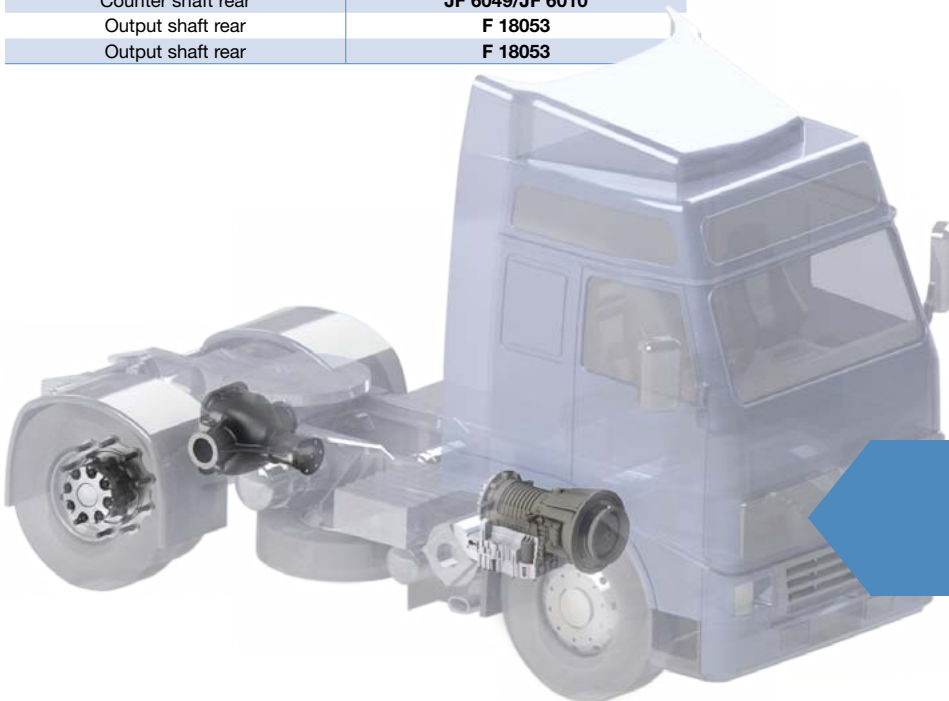
## Wheel End



AXLE	POSITION	Fersa
<b>FL * FM * V</b>		
Front axle	Hub Unit	<b>F 200015</b>
Front axle	Hub Unit	<b>F 200013</b>
Rear axle	Hub Unit	<b>F 200014</b>



F 200014



Fersa the spare parts  
your truck needs