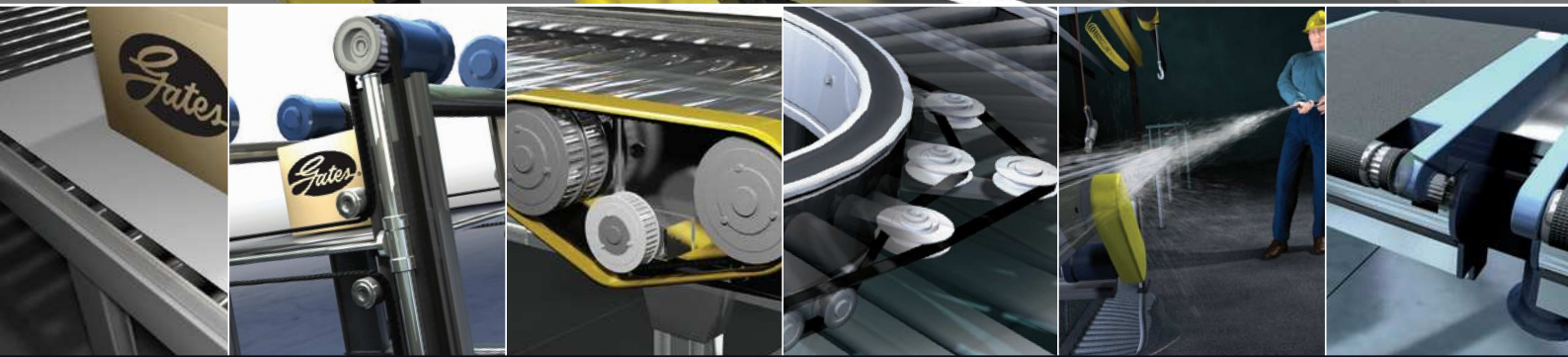
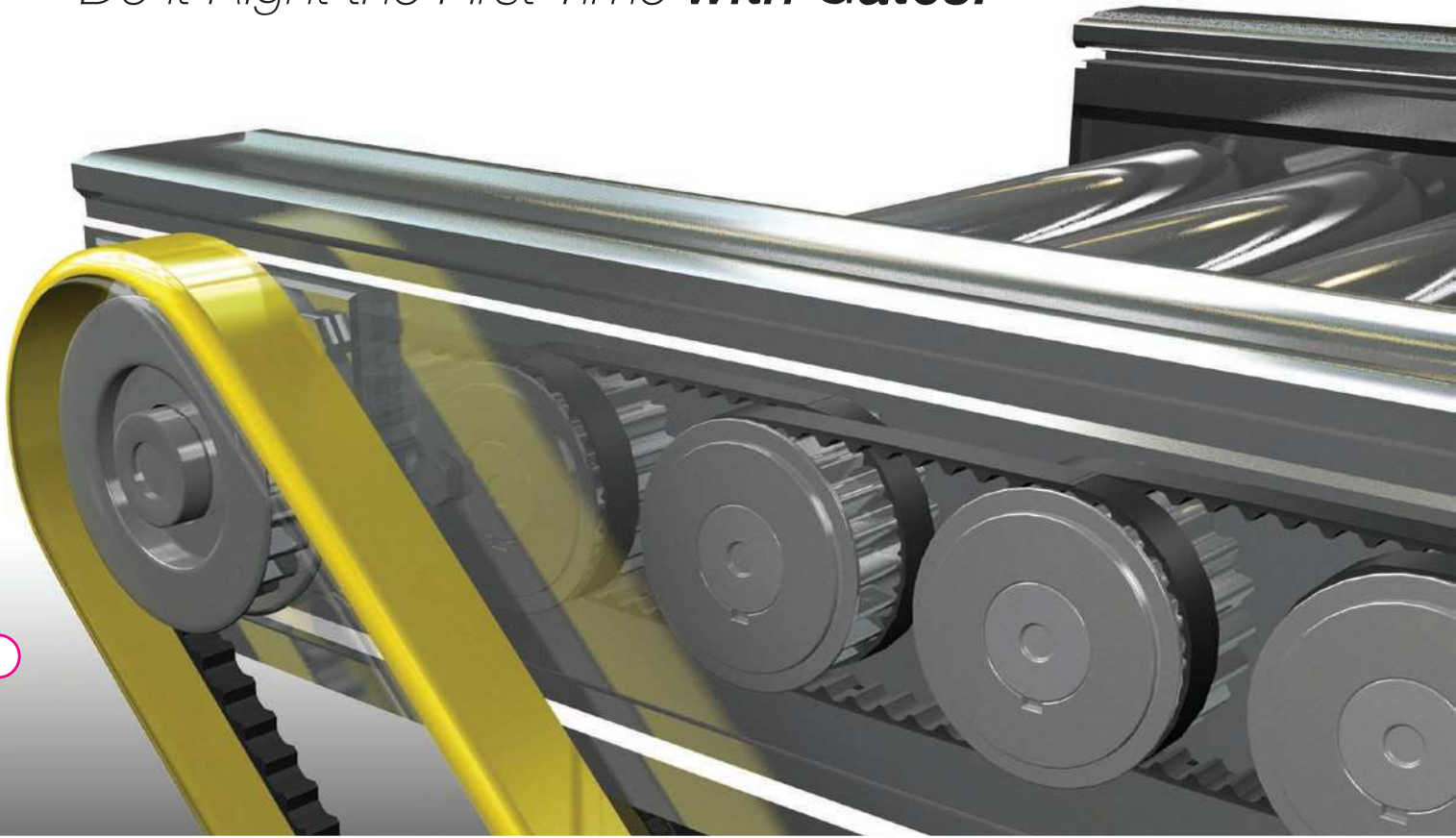


When Conveyor System
Service Life and
Performance are Critical,
Do it Right the First Time with Gates!



The Right Tools and Expertise **For Performance Design**



Gates meets the needs of the materials handling industry with information and design tools to make building the right drive system fast and easy. *Design Flex*,[®] *Design View*,[®] and *Design IQ*[®] provide invaluable assistance in product selection, CAD drawings, serpentine drive design and layouts, tensioning and installation, and system cost savings.

Poly Chain[®] **GT2**[®] Drive Systems

Gates exclusive Poly Chain GT2 drive system is the best choice for high performance and life cycle value in a wide variety of applications where roller chain drive systems are used today. When compared to roller chain drive systems, Poly Chain GT2 drive systems provide important performance advantages and significant overall cost savings for your company and customer.

Find proof at www.gates.com/polychain.



Poly Chain GT2 drive system advantages over roller chain:

- Belts outlast roller chain 3 to 1
- Sprockets outlast roller chain 10 to 1
- Maintenance free system
- Minimal or no downtime
- No retensioning or lubrication
- No lubrication disposal or cleanups
- No expensive oil baths
- Quiet and clean running
- Minimal vibration
- Virtually no elongation
- Resistant to chemicals and contaminants
- Excellent shock load resistance
- No end product contamination
- Contain no "hidden costs" in lost productivity or ongoing maintenance
- No environmental pollution or contamination from lubricants
- Close mounting minimizes over hung load
- Extended MTF (Mean Time to Failure)

Gates Conveyor Systems Additional Drive Solutions



PowerGrip® GT² Belts —

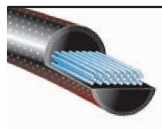
- Enable smaller, more compact drives than conventional rubber belt drive systems
- Also available in Twin Power® construction with equal load capacity on either side of the belt



Power Curve® Belts —

Flexible V-belt eliminates the weak link at key power turn points.

- Outlast standard “B” section belts
- Reduce downtime
- Greater transverse flexibility
- Longer service life
- Wear resistant



Round Belts —

Belts designed for 1/4 turn or twisted drives where more than an “O” ring is required.

- Minimal stretch
- No splice
- Minimum take-up



PowerBack® Belts —

- Ideal for roll-to-roll drives driven by V-belts
- Provide better roll drive surface than conventional belts



Poly Chain® GT² —

Stainless Steel Sprockets and Taper-Lock Bushings

- Meet the needs of the food and beverage market where washdowns are required and standard metal parts rust
- Corrosion resistant
- Excellent wear resistance



Poly Chain® GT² —

Nickel-Plated Sprockets and Idlers

- Ideal for systems requiring washdown
- Great for wet environments



Poly Chain® GT² —

Single/Double Sprockets

- Ideal for roll-to-roll drives or slave drive systems
- Standard stock sizes
- Available in ductile or stainless steel

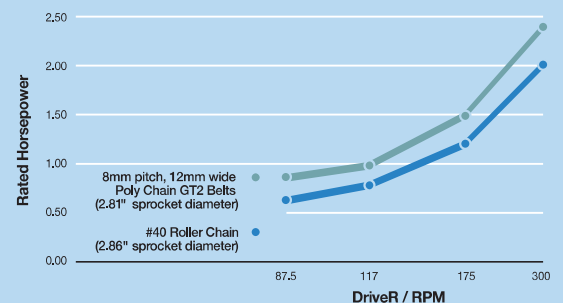


Taper-Lock Idler Bushings —

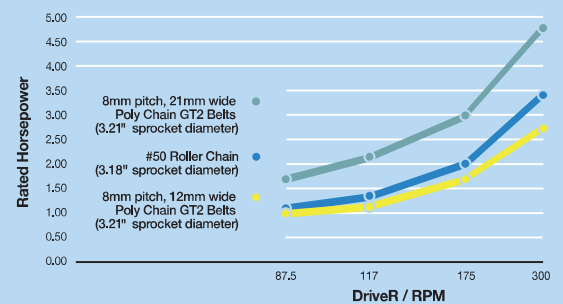
- Combine with stock sprockets or sheaves to create additional idler solutions

Poly Chain® GT² Belts Can Handle Roller Chain

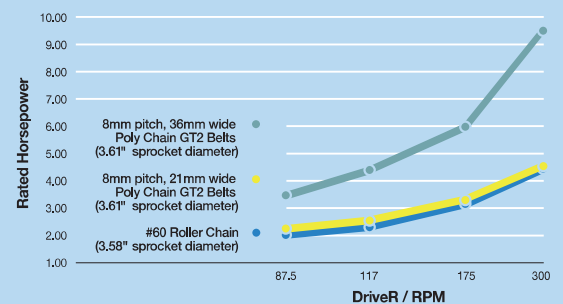
Horsepower Rating Comparison



12mm Poly Chain GT2 Belts vs. #40 Roller Chain



12mm & 21mm Poly Chain GT2 Belts vs. #50 Roller Chain



21mm & 36mm Poly Chain GT2 Belts vs. #60 Roller Chain

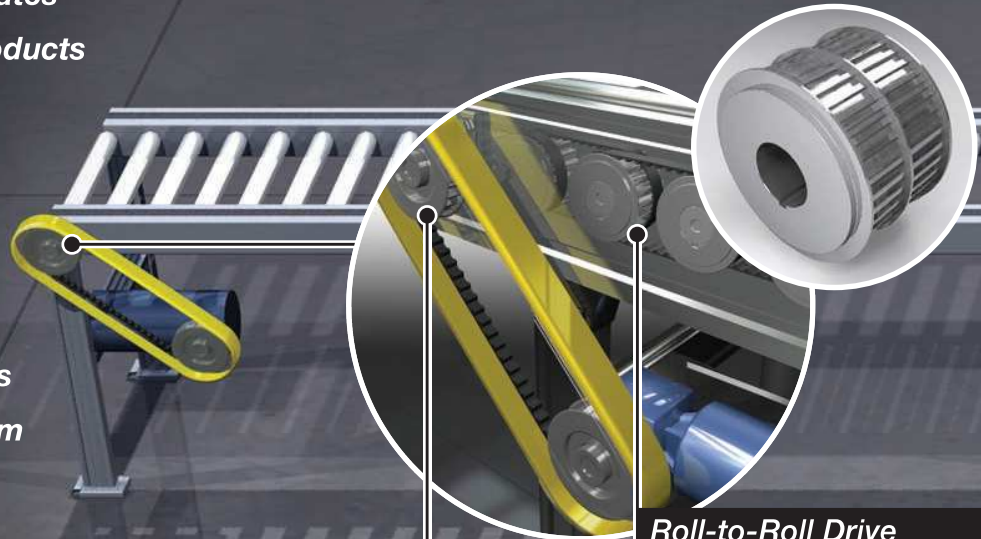
Gates Products in the Right Places= Powerful Performance

Drives designed with Gates power transmission products outlast, outperform and outmuscle roller chain and other high-performance rubber synchronous drives. What that means for your conveyor system is more horsepower capacity in less space for less cost...plus greater flexibility in design. Nothing beats Gates power transmission products for the ultimate in drive design, performance and service life.

If you can design it, we can do it!

When standard pulleys or sprockets just don't fit, call the Gates Made-To-Order Metals Team. We specialize in providing prototype and production pulleys, sheaves and sprockets to meet your design expectations.

To learn more, call 800-709-6001 or visit www.gates.com/mtometals.



Roll-to-Roll Drive

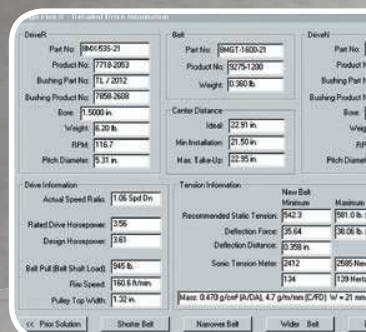
Poly Chain® GT®2 sprockets and belts. Available in single-double, ductile or stainless steel.

Head Pulley Drive

Poly Chain® GT®2 sprockets and belts. Available in single-double, ductile or stainless steel.

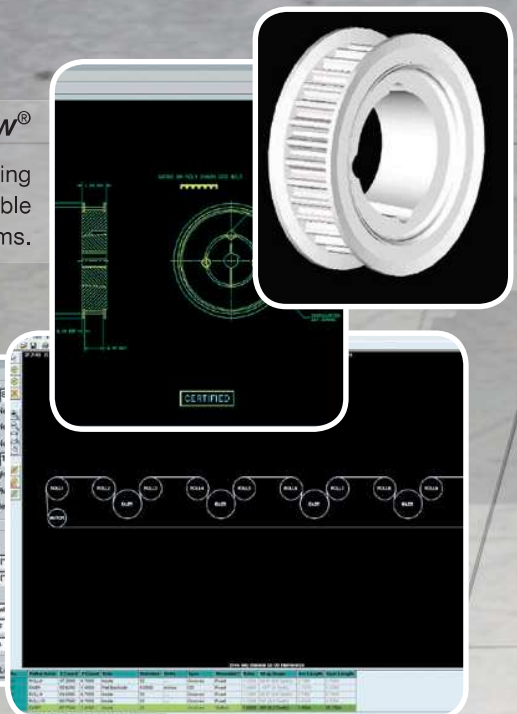
Design View®

Complete engineering views are downloadable into CAD programs.



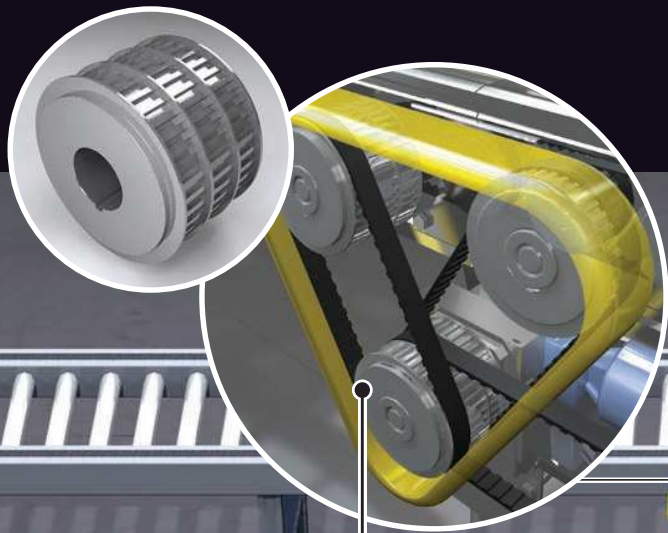
Design Flex®

Precise design specifications reduce development time.



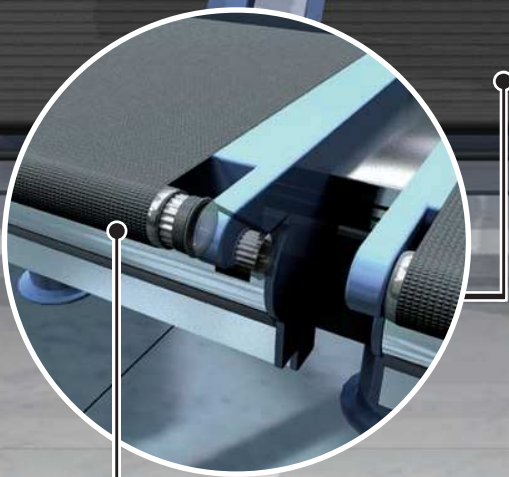
Design IQ®

Comprehensive specification design of multi-point serpentine drives.



Slave Drive

Poly Chain® GT®2 sprockets and belts. Available in double-triple (made-to-order), ductile or stainless steel.



Sorter Drive

Poly Chain® GT®2 and PowerGrip® GT®2 sprockets and belts.

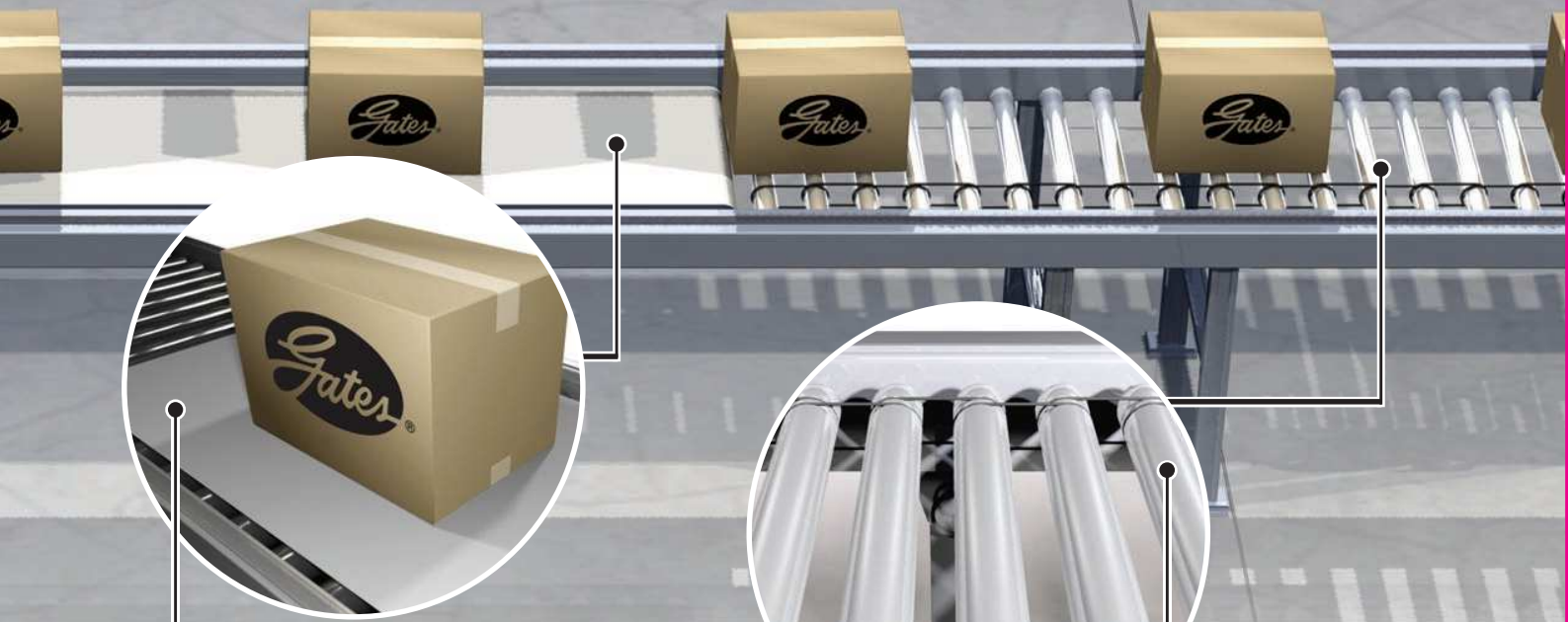


Lifter Drive

Long length belting available in rubber or urethane.

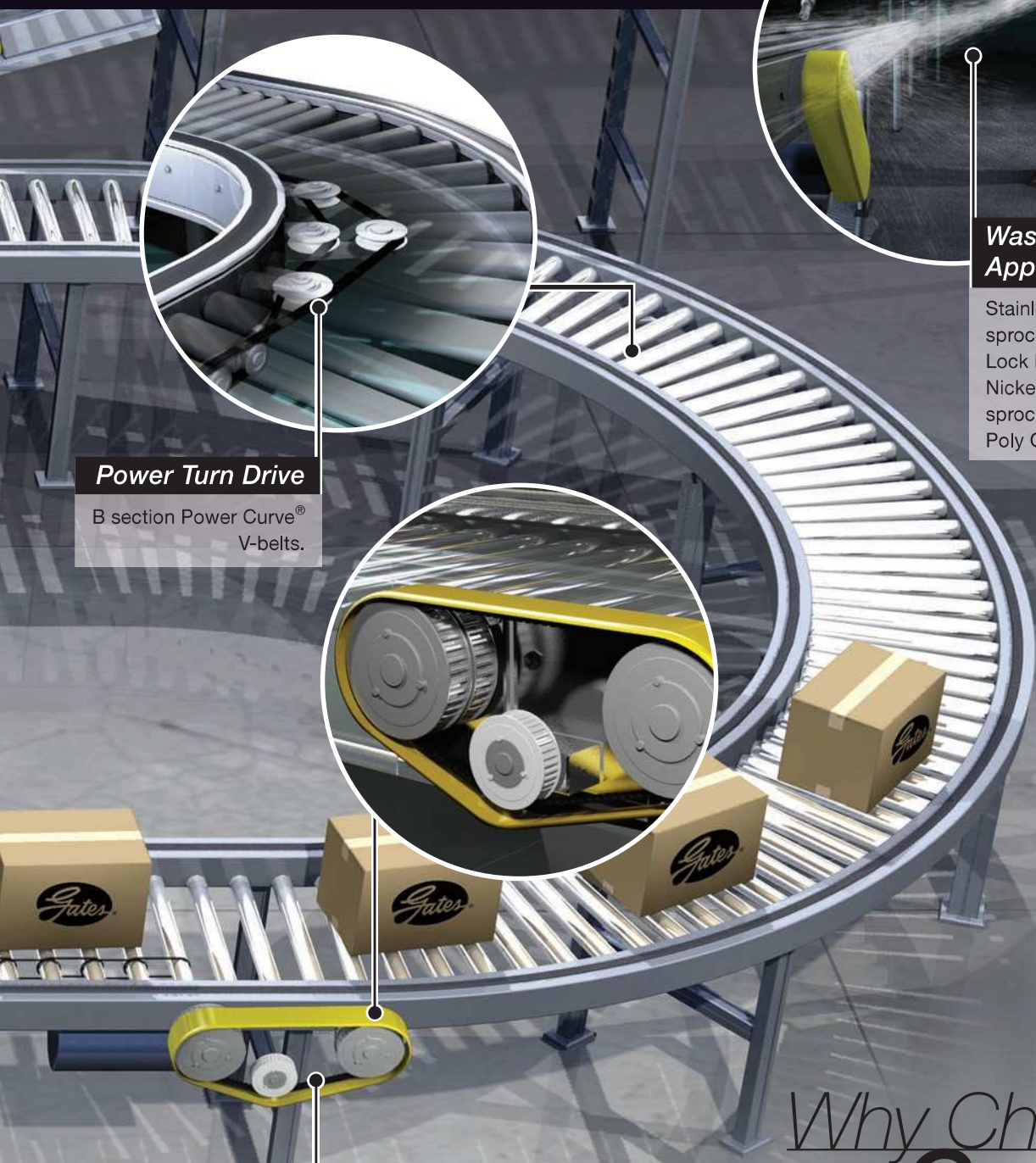


V-Belt Driven Roll-to-Roll Conveyor
B section PowerBack® belts.



Gates Mectrol™ Long-Length Belting
Standard and FDA-approved belts and belting.

Roll-to-Roll Conveyor
J section Micro-V® belts.



Power Turn Drive

B section Power Curve®
V-belts.

Washdown Applications

Stainless steel
sprockets and Taper-
Lock bushings.
Nickel-plated
sprockets and idlers.
Poly Chain® GT®2 belts.

Sprockets & Idlers

Stainless steel sprockets
and Taper-Lock bushings.
Nickel-plated sprockets
and idlers.
Poly Chain® GT®2 belts.

Why Choose Gates?

*With industry-leading technologies, a complete line of high-quality products, and unmatched support, it's easy to see that Gates is the critical link in meeting all your needs for conveyor belt drive systems. Gates is the only manufacturer to unite key design elements into one complete system for fast, efficient designs...**built right the first time.***

Driving Solutions

Gates Mectrol™ Urethane Belt Drives

Gates Mectrol™ brings your motion control ideas to life. We deliver innovative synchronous products and services to meet your most demanding motion control and linear actuator applications. Our advanced manufacturing facilities produce a full range of custom and in-stock urethane belts and sprockets for numerous applications and industries:

- Food and beverage processing
- Conveyor systems
- Glass manufacturing

Urethane belts offer numerous advantages:

- FDA approved materials
- Greater design flexibility – any width or length
- Quiet operation
- Non-marking and clean-running
- Abrasion and chemical resistant
- Virtually maintenance-free

To learn more, visit www.gatesmectrol.com.



For more information on any of Gates Industrial Power Transmission products, programs or services, call 800-777-6363, contact your local Gates representative or visit us at www.gates.com/pt.

For engineering design assistance, contact Gates Power Transmission Engineering Support at 303-744-5800.



A Tomkins Company

The Driving Force in Power Transmission®

Gates Corporation
P.O. Box 5887
Denver, Colorado 80217-5887

16425 11/06 Printed in U.S.A.

